

# Locating your Polaris VIN

<b>ATV</b> .....	<b>2</b>
Model Year 2011 to Present.....	2
Model Year 1998 to 2010 .....	3
Model Years 1996 and 1997 .....	3
Model Year 1985 to 1995 .....	4
Youth Models - 2007 to Present.....	4
Youth Models – Model Year 2004 to 2006 .....	5
Youth Models – Model Year 2001 to 2003 .....	5
SPORTSMAN VIN Search .....	5
<b>RANGER</b> .....	<b>6</b>
Model Year 2015 to present.....	6
Model Year 2003 to 2014 (Series 11).....	6
Series 99 and Series 10 .....	7
RANGER VIN Search.....	7
<b>RZR</b> .....	<b>8</b>
All Model Years .....	8
RZR VIN Search .....	9

# Vehicle Identification Number

The Vehicle Identification Number (VIN) of your Polaris is a unique number used to identify your vehicle.

Polaris vehicles use the industry standard of a 17-digit VIN:

**Digits 1-3:** Manufacturer of the vehicle

**Digits 4-8:** Vehicle attributes

**Digit 9:** Check digit

**Digit 10:** Model Year

**Digit 11:** Plant code

**Digits 12-17:** Sequential numbers

*For units that are older than 1999 the VIN's are 7 digits long. The 2nd and 3rd digits indicate the year.*

## ATV

Model Year 2011 to Present

VIN located in the **front left wheel well** or the **back left lower frame rail**.

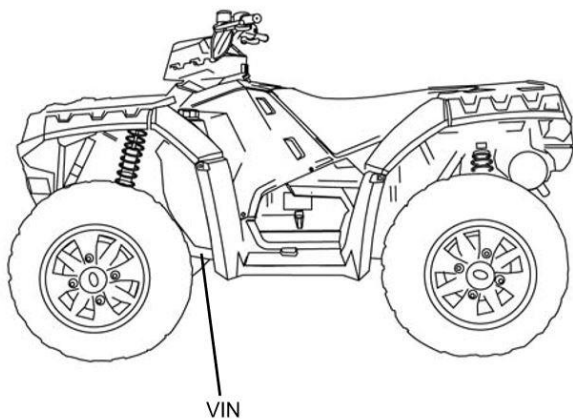


Figure 1

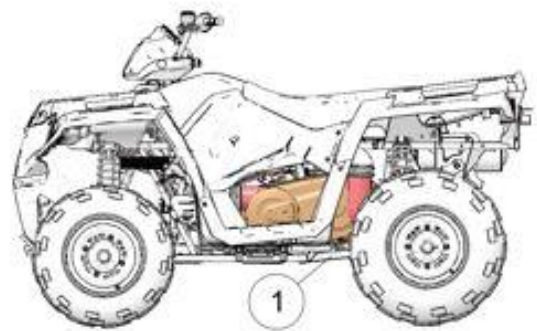


Figure 2

- Scrambler models; Sportsman 550, 850 and XP 1000 models; Outlaw; Trail Boss; Trail Blazer and 2011 Hawkeye models - **left front wheel well** (figure 1).
- Sportsman 400, 450, 500, 570, 800 and ETX models; 2013 Hawkeye models and Sportsman 6x6 models from 2011-14 - **left rear frame** (figure 2).
- Sportsman XP 1000 S and Scrambler XP 1000 S models - **right rear wheel well** (figure 3).
- Sportsman 570 6x6 models from 2017 and 2018 - **right rear wheel well** (figure 3).

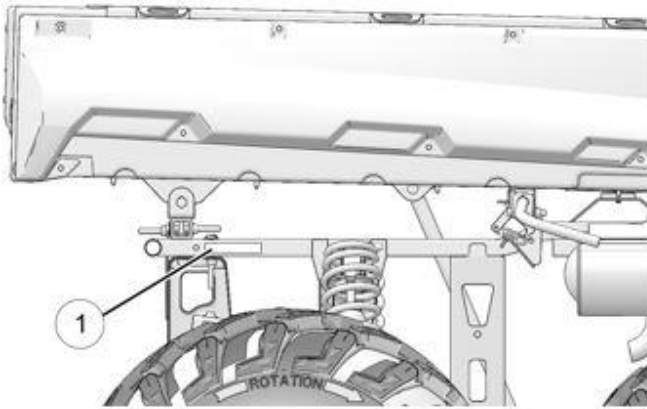


Figure 3

### Model Year 1998 to 2010

- All VIN stamps can be found on the frame in the **front left wheel well**.

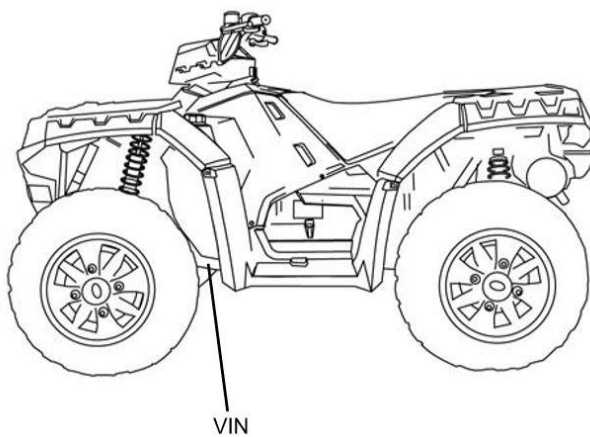


Figure 4

### Model Years 1996 and 1997

- VIN stamp either on the **right side, in front of the shift selector box (A)** (figure 5).
- **OR** **under the seat on the upper shock mount cross member (B)** (figure 5).
- VIN stamped **under the seat, on the right-hand frame rail near the airbox (C)** (figure 5).

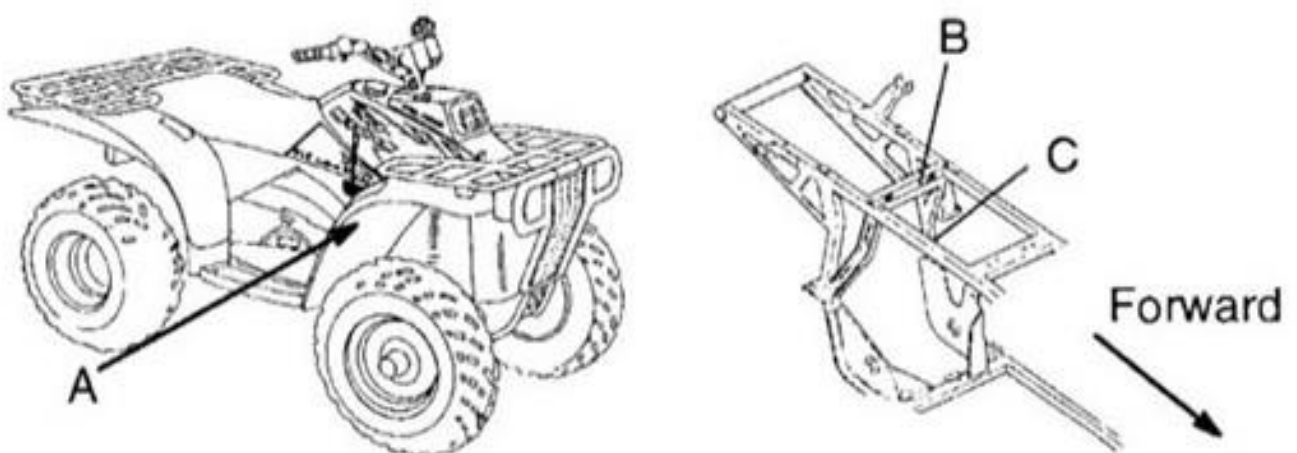


Figure 5

### Model Year 1985 to 1995

- VIN stamped on the **frame in the right-hand side foot well** (figure 6).

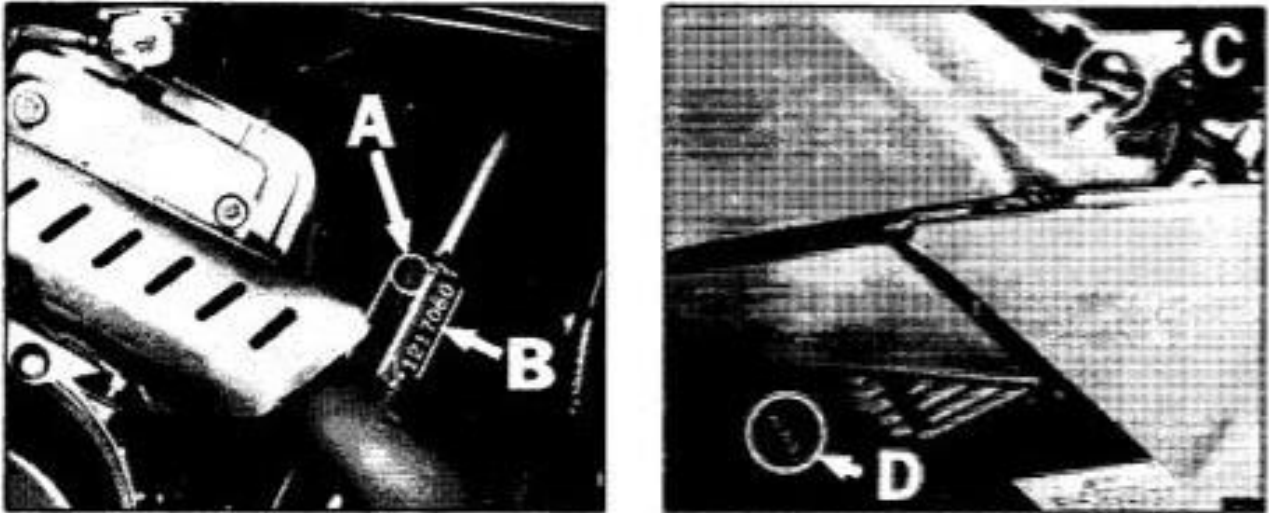


Figure 6

### Youth Models - 2007 to Present

- Outlaw 110, Sportsman 110, Sportsman 90, Outlaw 90 and Phoenix 200 models - stamped on the **frame in the left front wheel well** (figure 7).
- Outlaw 50 and Predator 50 models - **front of the vehicle** (below right)

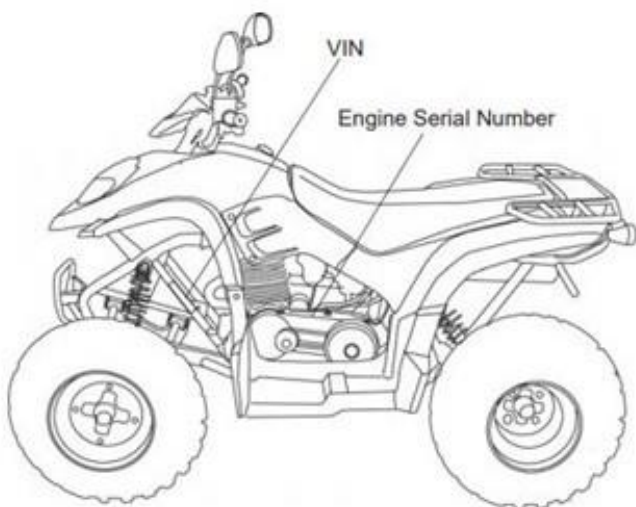


Figure 7

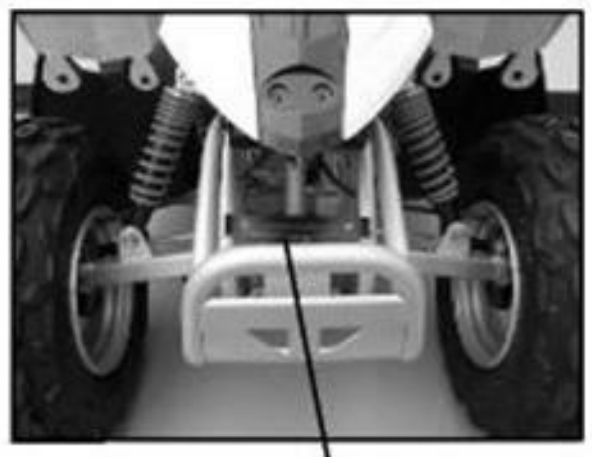


Figure 8

- Outlaw 70 models – **frame in the left rear wheel well** (figure 9).



Figure 9

#### Youth Models – Model Year 2004 to 2006

- Phoenix 200 models - **left front wheel well.**
- Predator 50 models - **right lower frame tube.**
- Predator 90 and Sportsman 90 models - **right front upper shock mount.**

#### Youth Models – Model Year 2001 to 2003

- Predator 90, Scrambler 90 and Scrambler 50 models - **front of the vehicle.**

#### SPORTSMAN VIN Search

[Click here](#) and enter your VIN to find important information about your vehicle.

*Model Year, Model Number, Engine Serial Number, Factory Warranty, Extended Service Contract (ESC), Guides and Manuals, Product Recalls and Safety Bulletins.*

# RANGER

RANGER VINs can be found **stamped on the frame**. The exact location varies based on model.

## Model Year 2015 to present

- VIN stamped in the **left rear wheel well** (figure 10).

Exceptions listed below:

*2015 RANGER 800 EFI, 2015 RANGER 800 EPS, 2015 RANGER 6x6, 2015 RANGER Diesel HST, 2015 RANGER Diesel HST Deluxe, 2016 RANGER 6x6, 2017 RANGER Diesel HST and 2017 RANGER Diesel HST Deluxe.*

The VIN on these models can be found in the **left front wheel well** (figure 11).

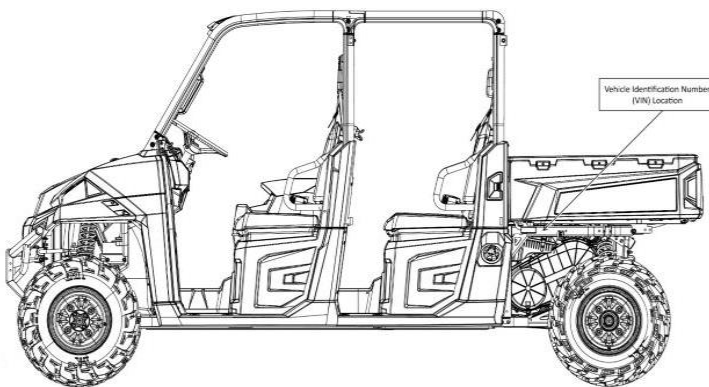


Figure 10

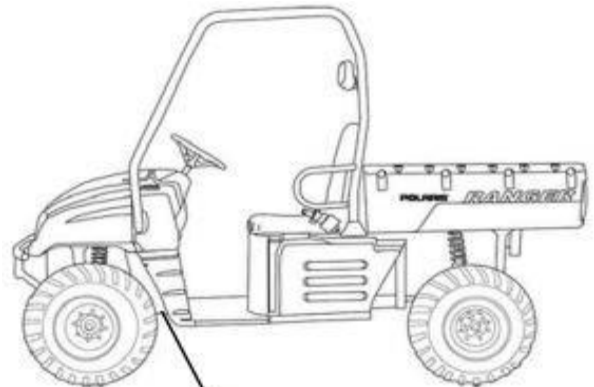


Figure 11

## Model Year 2003 to 2014 (Series 11)

- VIN stamped in the **left front wheel well** (figure 12).

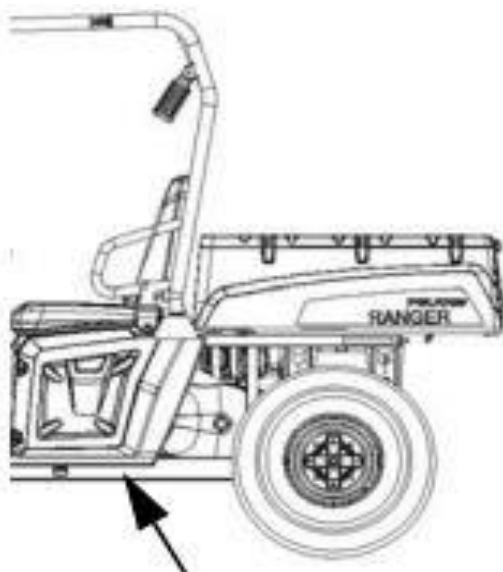


Figure 12



Exceptions:

*2013 RANGER XP 900, 2014 RANGER 570 EFI, 2014 RANGER 570 EPS, 2014 RANGER Crew 570 EFI, 2014 RANGER Crew 570 EPS, 2014 RANGER XP 900 and 2014 RANGER Crew 900.*

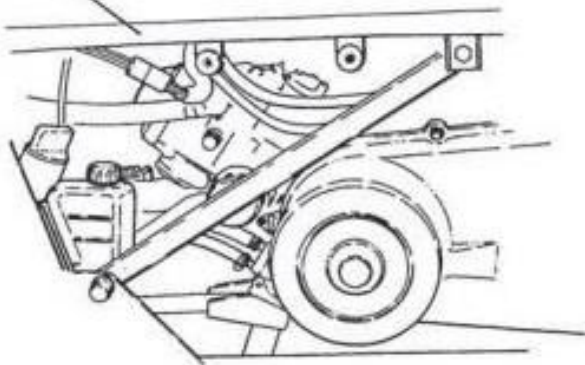
The VIN on those models can be found in the **left rear wheel well**.

- 2012 RANGER EFI Crew and 2013 RANGER Crew 500 - VIN stamped on the **frame below the left rear passenger seat, in front of the left rear tyre** (figure 12).

### Series 99 and Series 10

- VIN stamped on the **frame rail under the left-hand side cover of the centre console** (figure 13).

VIN (On frame rail under LH side cover)



*Figure 13*

### RANGER VIN Search

[Click here](#) and enter your VIN to find important information about your vehicle.

*Model Year, Model Number, Engine Serial Number, Factory Warranty, Extended Service Contract (ESC), Guides and Manuals, Product Recalls and Safety Bulletins.*

## RZR

### All Model Years

- The VIN stamped on the frame in the **left rear wheel well** in one of the following locations depending on model (figure 14).

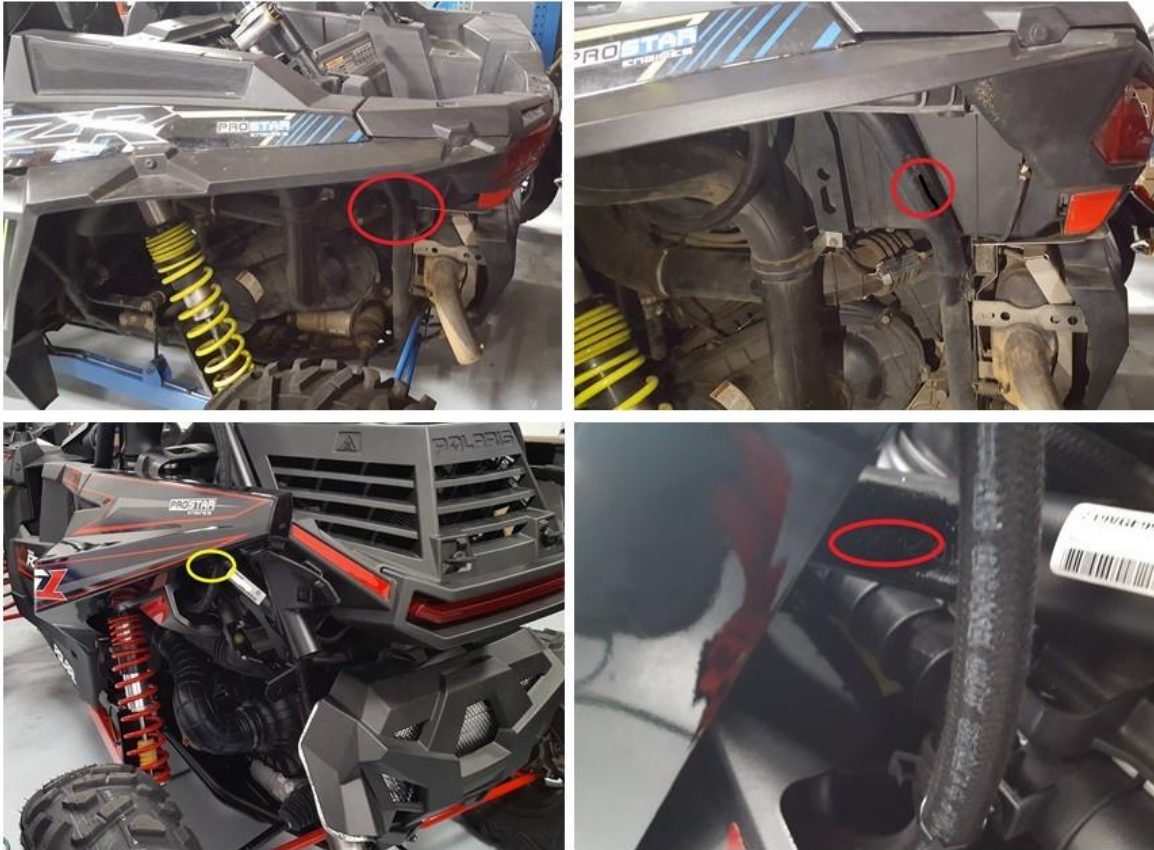


Figure 14

- Youth RZR 170 models – VIN stamped on the frame in the **left front wheel well** (figure 15).

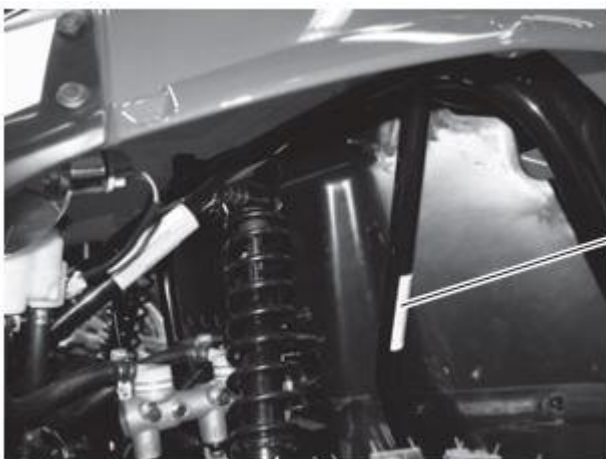


Figure 15



## RZR VIN Search

[Click here](#) and enter your VIN to find important information about your vehicle.

*Model Year, Model Number, Engine Serial Number, Factory Warranty, Extended Service Contract (ESC), Guides and Manuals, Product Recalls and Safety Bulletins.*